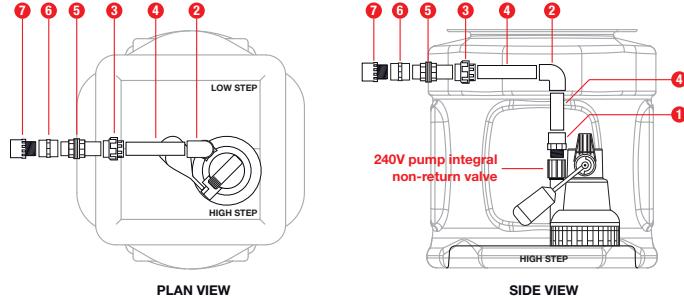


SumpFlo Single and twin pump configuration

Connection of internal discharge pipework within the tank is as follows (fittings kit comes with the following as standard)

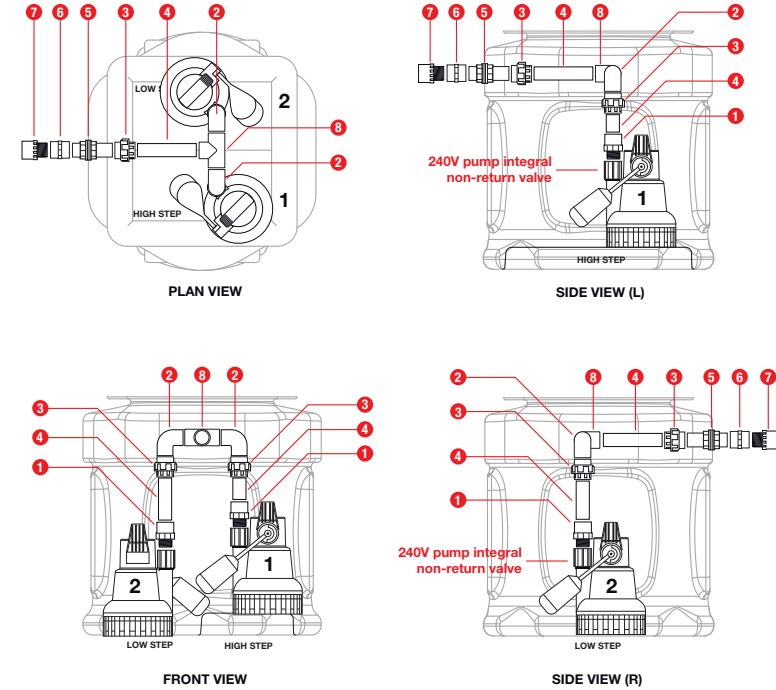


Kit A Single pump configuration



Kit B Twin pump, single discharge configuration

Kit B requires adaption of existing Kit A within the chamber.
Kit B requires secondary 240V 1 1/4" pump to be installed within the chamber.



Position	Qty	Part description	Qty supplied in Kit A	Part code
1	1	PVC 1 1/4" Male Threaded Adaptor	1	8023
2	1	PVC 1 1/4" Elbow PL/PL (90degree)	1	8022
3	1	PVC 1 1/4" Socket Union PL/PL	1	8027
4	1	PVC 1 1/4" Class E Pressure Pipe 0.5mtr	1	8024L
5	1	PVC 1 1/4" Tank Connector	1	8028
6	1	PVC 1 1/4" Coupling Female TH/TH	1	8030
7	1	32mm Male Iron	1	9010

Position	Qty	Part description	Qty supplied in Kit B	Part code
1	2	PVC 1 1/4" Male Threaded Adaptor	1	8023
2	2	PVC 1 1/4" Elbow PL/PL (90degree)	1	8022
3	3	PVC 1 1/4" Socket Union PL/PL	2	8027
4	2	PVC 1 1/4" Class E Pressure Pipe 0.5mtr	1	8024L
5	1	PVC 1 1/4" Tank Connector	0	8028
6	1	PVC 1 1/4" Coupling Female TH/TH	0	8030
7	1	32mm Male Iron	0	9010
8	1	PVC 1 1/4" Tee Piece	1	8032

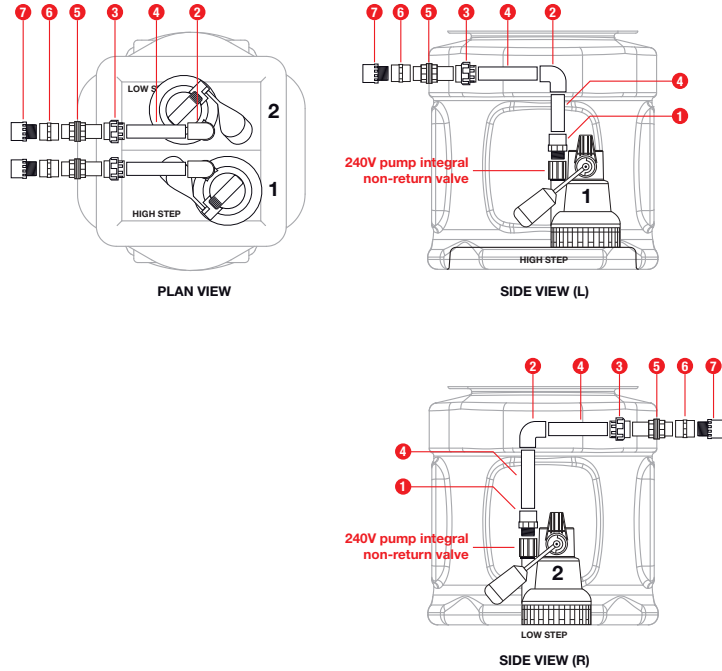
SumpFlo Single and twin pump configuration

Connection of internal discharge pipework within the tank is as follows (fittings kit comes with the following as standard)



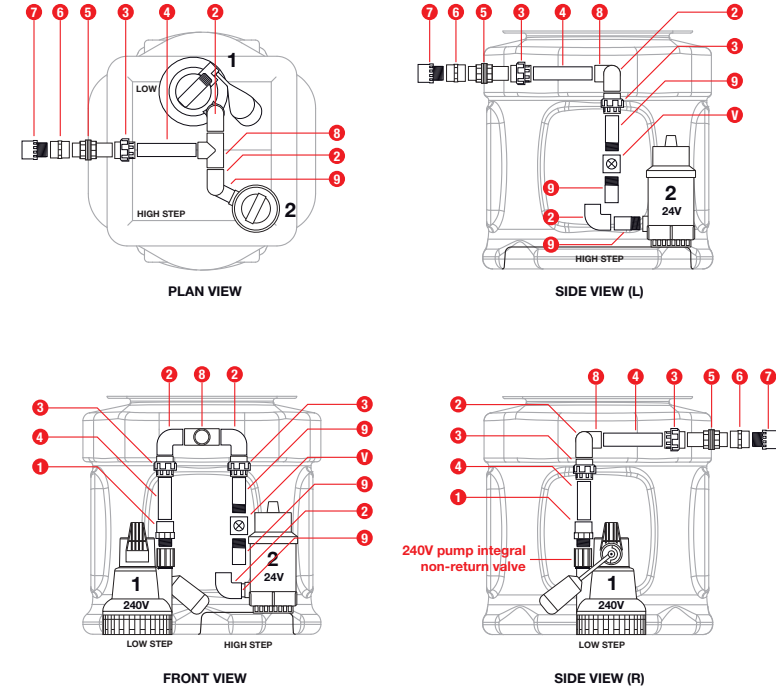
Kit C Twin pump, twin discharge configuration

Kit C requires secondary 240V 1 1/4" pump to be installed within the chamber.



Kit D Single pump + BBPS pump, single discharge configuration

Kit D requires adaption of existing Kit A within the chamber.
Kit D requires full BBPS system to be installed within the chamber.



Position	Qty	Part description	Qty supplied in Kit C	Part code
1	2	PVC 1 1/4" Male Threaded Adaptor	1	8023
2	2	PVC 1 1/4" Elbow PL/PL (90degree)	1	8022
3	2	PVC 1 1/4" Socket Union PL/PL	1	8027
4	2	PVC 1 1/4" Class E Pressure Pipe 0.5mtr	1	8024L
5	2	PVC 1 1/4" Tank Connector	1	8028
6	2	PVC 1 1/4" Coupling Female TH/TH	1	8030
7	2	32mm Male Iron	1	9010

Position	Qty	Part description	Qty supplied in Kit D	Part code
1	1	PVC 1 1/4" Male Threaded Adaptor	0	8023
2	3	PVC 1 1/4" Elbow PL/PL (90degree)	2	8022
3	3	PVC 1 1/4" Socket Union PL/PL	2	8027
4	2	PVC 1 1/4" Class E Pressure Pipe 0.5mtr	1	8024L
5	1	PVC 1 1/4" Tank Connector	0	8028
6	1	PVC 1 1/4" Coupling Female TH/TH	0	8030
7	1	32mm Male Iron	0	9010
8	1	PVC 1 1/4" Tee Piece	1	8032
9	3	PVC 1 1/4" PL/TH Barrel Nipple	3	8026
V	1	1 1/4" brass non-return valve supplied with full BBPS kit	0	-

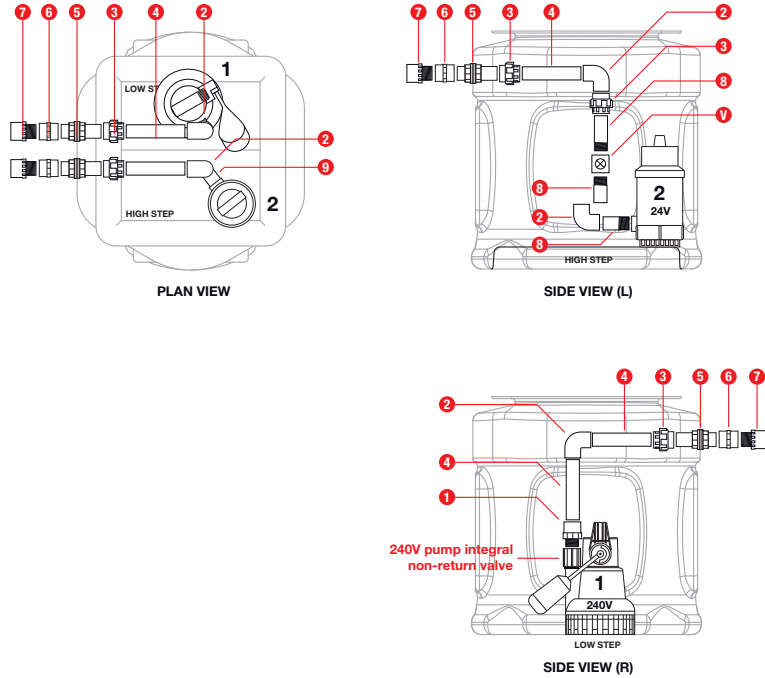
SumpFlo Single and twin pump configuration

Connection of internal discharge pipework within the tank is as follows (fittings kit comes with the following as standard)



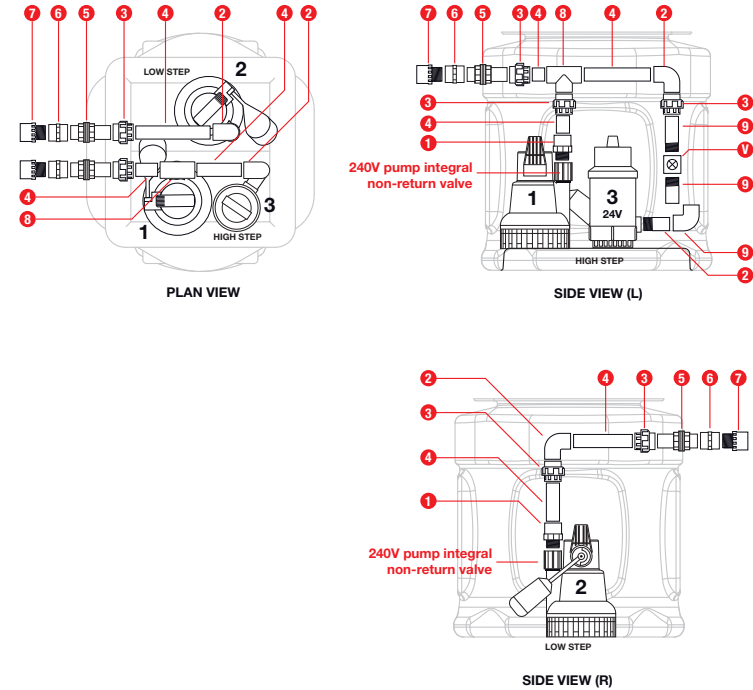
Kit E Single pump + BBPS pump, twin discharge configuration

Kit E requires full BBPS system to be installed within the chamber.



Kit F Twin pump + BBPS pump, twin discharge configuration

Kit F requires full BBPS system to be installed within the chamber.



Position	Qty	Part description	Qty supplied in Kit E	Part code
1	1	PVC 1 1/4" Male Threaded Adaptor	0	8023
2	3	PVC 1 1/4" Elbow PL/PL (90degree)	2	8022
3	3	PVC 1 1/4" Socket Union PL/PL	2	8027
4	2	PVC 1 1/4" Class E Pressure Pipe 0.5mtr	1	8024L
5	2	PVC 1 1/4" Tank Connector	1	8028
6	2	PVC 1 1/4" Coupling Female TH/TH	1	8030
7	2	32mm Male Iron	1	9010
8	3	PVC 1 1/4" PL/TH Barrel Nipple	3	8026
V	1	1 1/4" brass non-return valve supplied with full BBPS kit	0	-

Position	Qty	Part description	Qty supplied in Kit F	Part code
1	2	PVC 1 1/4" Male Threaded Adaptor	1	8023
2	3	PVC 1 1/4" Elbow PL/PL (90degree)	2	8022
3	4	PVC 1 1/4" Socket Union PL/PL	3	8027
4	4	PVC 1 1/4" Class E Pressure Pipe 0.5mtr	3	8024L
5	2	PVC 1 1/4" Tank Connector	1	8028
6	2	PVC 1 1/4" Coupling Female TH/TH	1	8030
7	2	32mm Male Iron	1	9010
8	1	PVC 1 1/4" Tee Piece	1	8032
9	3	PVC 1 1/4" PL/TH Barrel Nipple	3	8026
V	1	1 1/4" brass non-return valve supplied with full BBPS kit	0	-